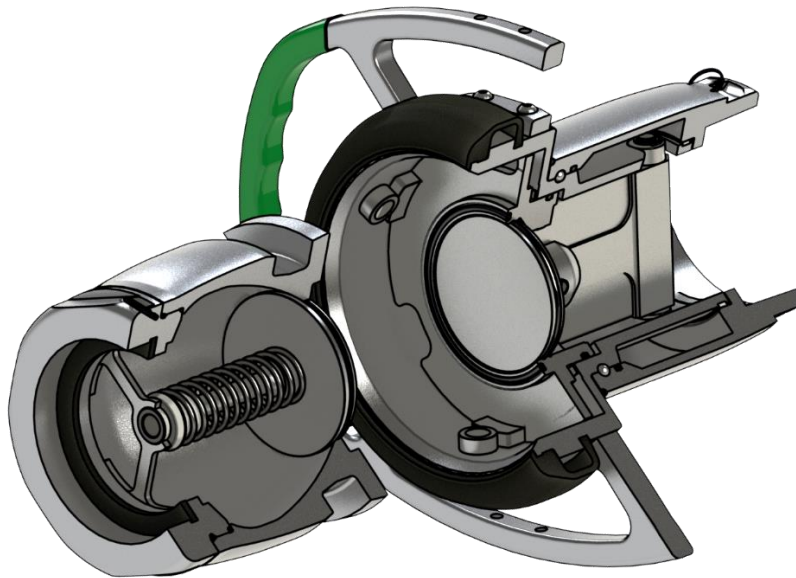


Technical Data: **Clean/BREAK** 164mm – 4" Spill Prevention Coupling



### Applications:

The **Clean/BREAK** 164mm – 4" (100mm NB) Spill Prevention Coupling is recommended for all fluid transfer hose assemblies where product spillage and environmental contamination needs to be minimised.

### Features:

- Fully compatible with STANAG 3756 & Team Specification couplings
- High flow rates of up to 3500 LPM
- 30 Bar working pressure as standard
- Integral swivel reduces hose torsional force during the coupling of units
- Sleek and elegant design, with laser etched maker's mark, eliminating potential debris traps and sharp edges
- Stainless steel internal components fitted as standard

### Connections:

Available with female BSP and NPT thread forms and Flange adaptors. Other end connections available on request.

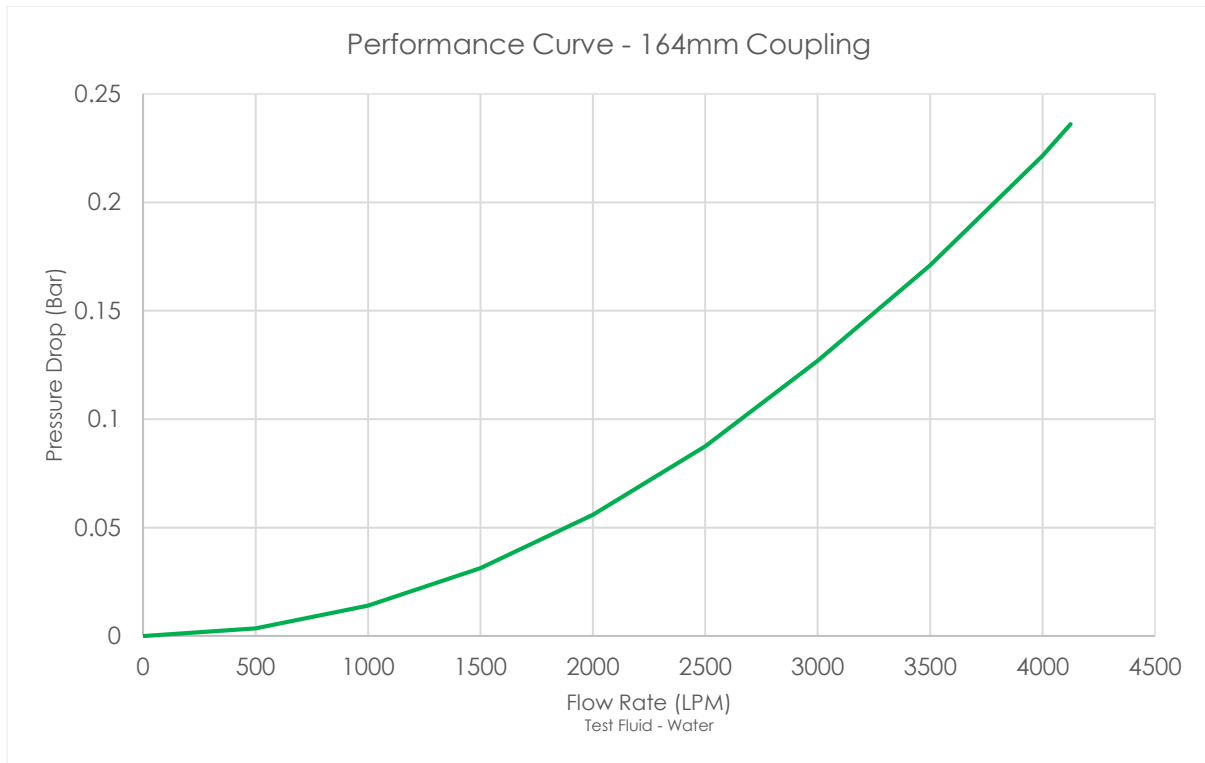
### Specifications:

End Fitting	Maximum Working Pressure (Bar/psi)	Test Pressure (Bar/psi)	Burst Pressure (Bar/psi)
BSP	30/435	45/652	150/2175
NPT	30/435	45/652	150/2175
ASA 150	10/150	15/225	50/750

### Material:

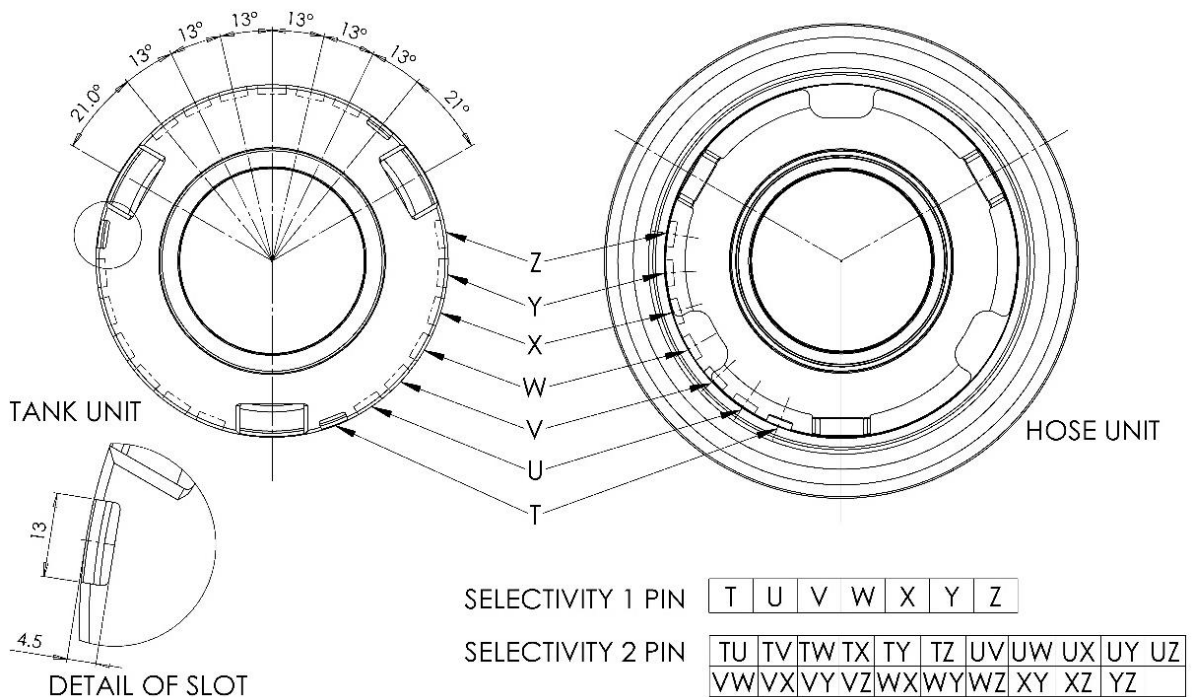
Available in 1.4404 316L Stainless Steel or Aluminium, with FKM Seals fitted as standard. Other body materials and seal types available on request.

**Performance:**



**Selectivity:**

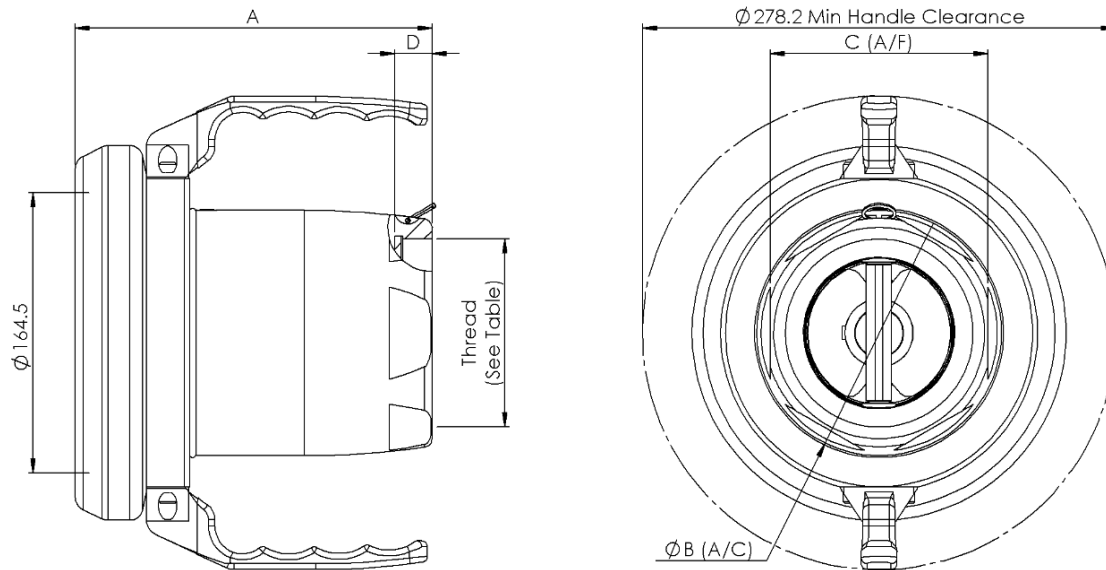
To avoid cross contamination from connecting incorrect couplings together selectivity can be used. Each unit has a number of active positions to allow for a number of fluid specific couplings variants.



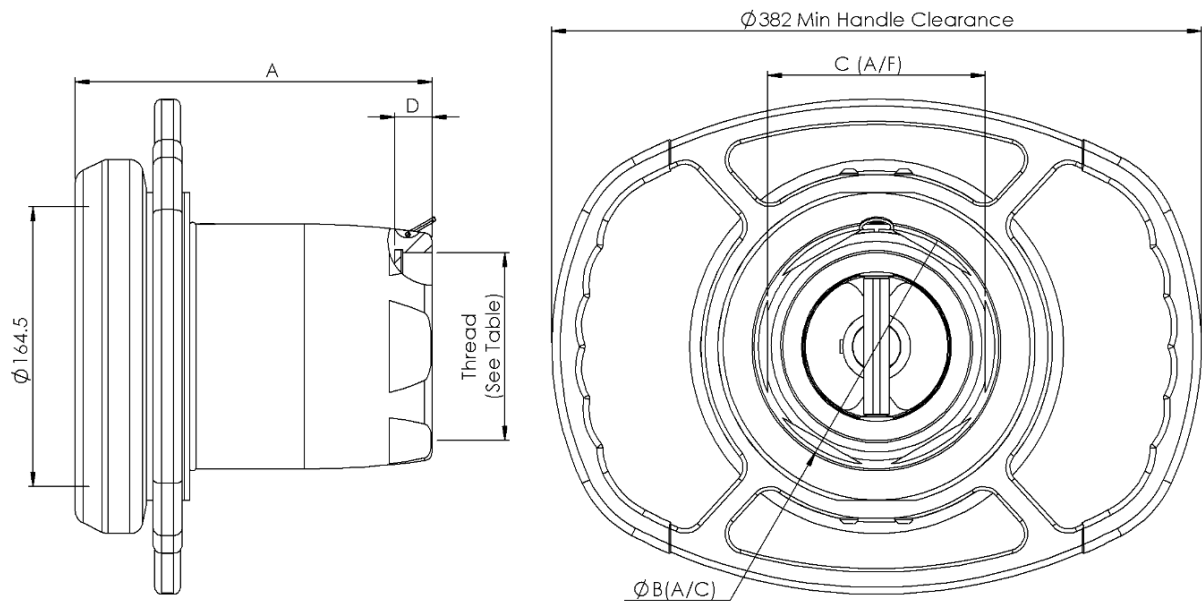
**Ø164 Hose Unit Technical Data:**

d. ø	DN	Connection	Material	Seal	Part Number	Weight (kg)	Dimensions (mm)			
							A	B	C	D
ø164	100	4" BSPP	Aluminium	FKM	CH164AJZ01	6.20	210	139	128	25
ø164	100	4" NPT	Aluminium	FKM	CH164AJY01	6.50	223	139	128	38
ø164	100	4"BSPP	Stainless Steel	FKM	CH164SJZ01	14.8	210	139	128	25
ø164	100	4" NPT	Stainless Steel	FKM	CH164SJY01	15.1	223	139	128	38

**Double Handle:**



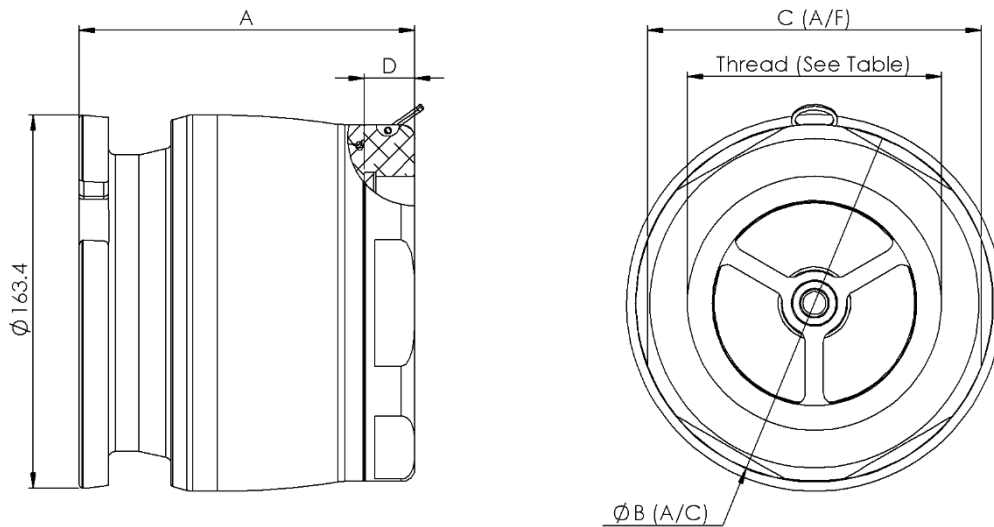
**Wheel Handle:**



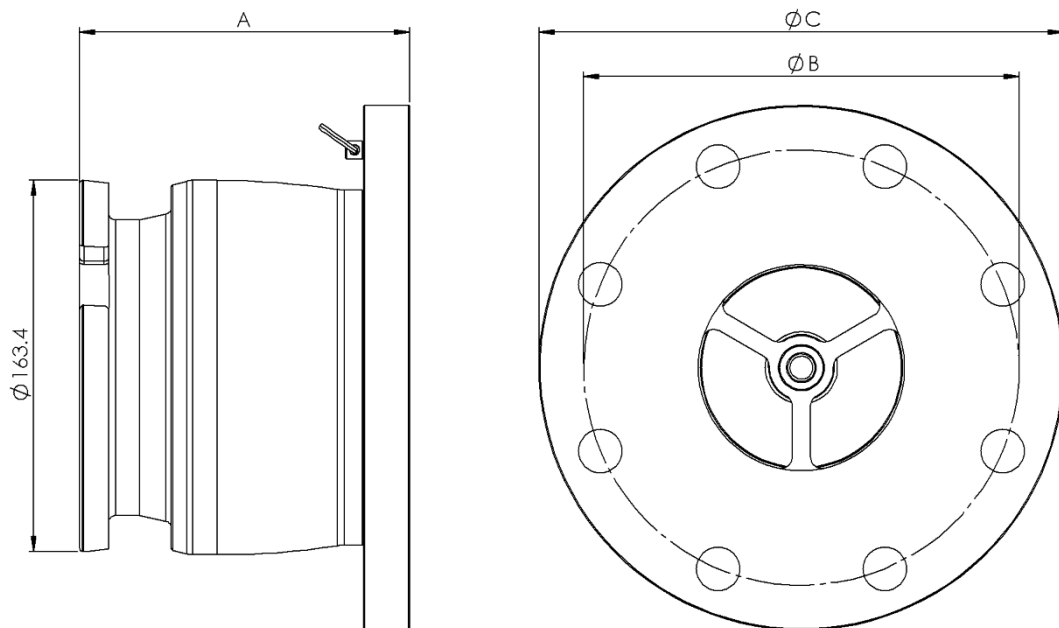
**Ø164 Tank Unit Technical Data:**

d. ø	DN	Connection	Material	Seal	Part Number	Weight (kg)	Dimensions (mm)			
							A	B	C	D
ø164	100	4" BSPP	Aluminium	FKM	CT164AJZ01	3.7	146	155	145	25
ø164	100	4" NPT	Aluminium	FKM	CT164AJY01	4.2	159	155	145	38
ø164	100	4" ASA 150	Aluminium	FKM	CT164AJU01	6.50	144	190	229	-
ø164	100	4"BSPP	Stainless Steel	FKM	CT164SJZ01	8.9	146	155	145	25
ø164	100	4" NPT	Stainless Steel	FKM	CT164SJY01	9.2	159	155	145	38
ø164	100	4" ASA 150	Stainless Steel	FKM	CT164SJU01	6.50	144	190	229	-

**Threaded Connection:**



**Flanged Connection:**



Note: For custom requirements please email [info@cleanbreak-couplings.com](mailto:info@cleanbreak-couplings.com) for more information.