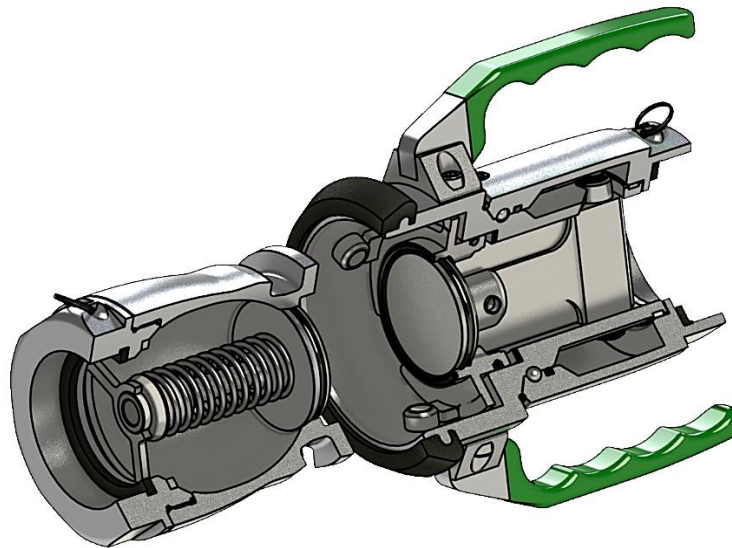


Technical Data: **Clean/BREAK** 105mm – 2.5" Spill Prevention Coupling



Applications:

The **Clean/BREAK** 105mm – 2.5" (65mm NB) Spill Prevention Coupling is recommended for all fluid transfer hose assemblies where product spillage and environmental contamination needs to be minimised.

Features:

- Fully compatible with STANAG 3756 & Team Specification couplings
- High flow rates of up to 1500 LPM
- 25 Bar working pressure as standard
- Integral swivel reduces hose torsional force during the coupling of units
- Sleek and elegant design, with laser etched maker's mark, eliminating potential debris traps and sharp edges

Connections:

Available with female BSPP and NPT thread forms and Flange adaptors. Other end connections available on request.

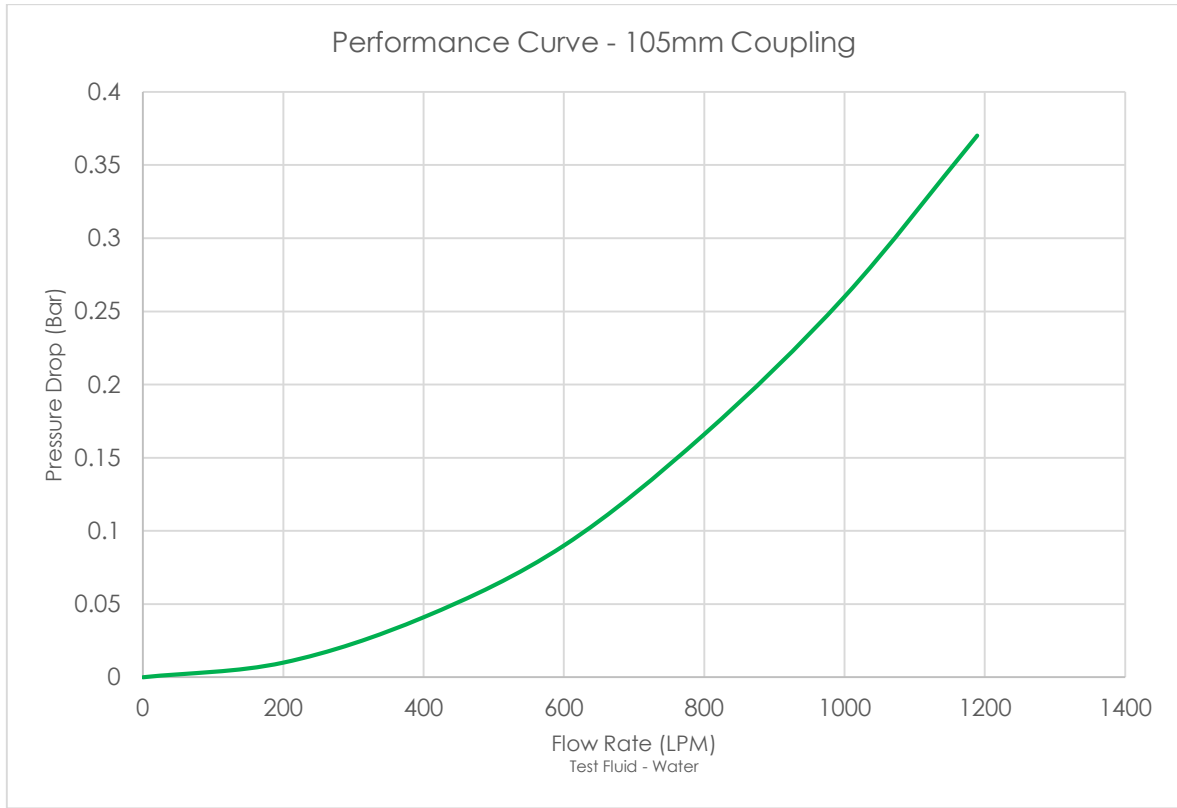
Specifications:

End Fitting	Maximum Working Pressure (Bar/psi)	Test Pressure (Bar/psi)	Burst Pressure (Bar/psi)	Maximum Coupling Pressure (Bar/psi)
BSPP	25/363	37.5/544	125/1813	4/58
NPT	25/363	37.5/544	125/1813	4/58
ASA 150	10/150	15/225	50/750	4/58

Material:

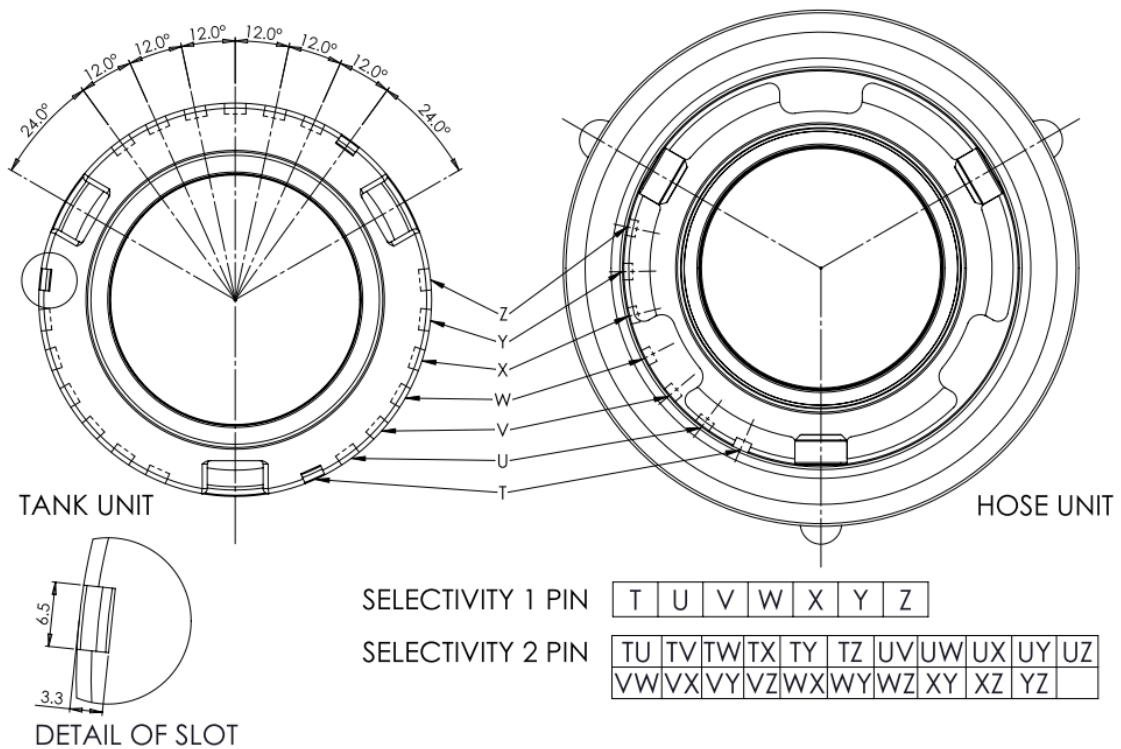
Available in 1.4404 316L Stainless Steel or Aluminium, with FKM Seals fitted as standard. Other body materials and seal types available on request.

Performance:



Selectivity:

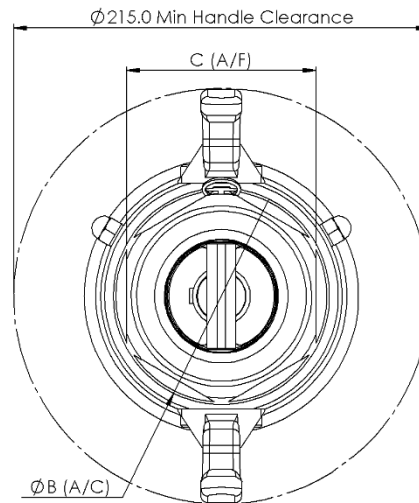
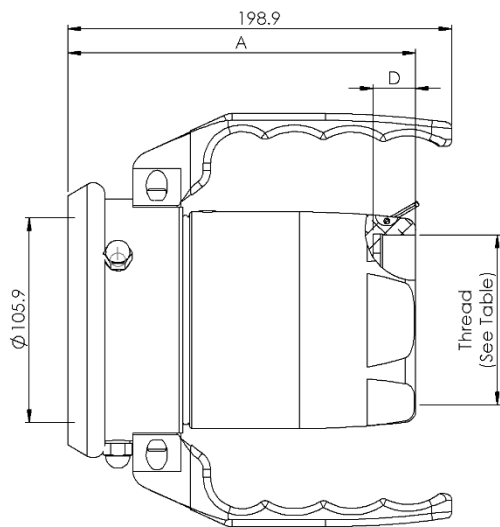
To avoid cross contamination from connecting incorrect couplings together selectivity can be used. Each unit has a number of active positions to allow for a number of fluid specific couplings variants.



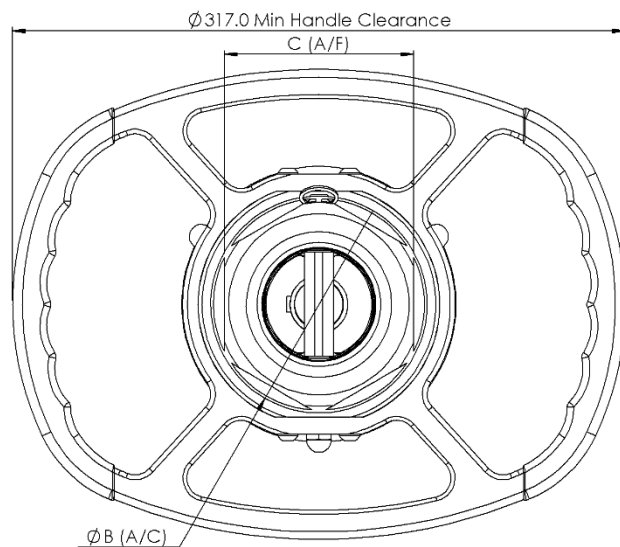
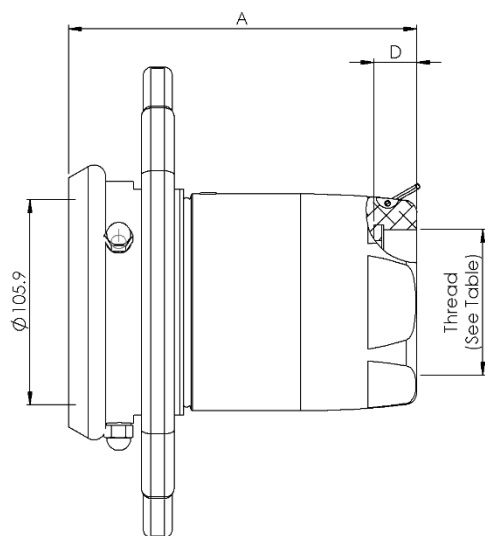
Ø105 Hose Unit Technical Data:

d. ø	DN	Connection	Material	Seal	Part Number	Weight (kg)	Dimensions (mm)			
							A	B	C	D
Ø105	65	2.5" BSPP	Aluminium	FKM	CH105AFZ01	3.9	180	112	98	22
Ø105	65	2.5" NPT	Aluminium	FKM	CH105AFY01	4.1	184	112	98	35
Ø105	65	2.5" BSPP	Stainless Steel	FKM	CH105SFZ01	7.5	180	112	98	22
Ø105	65	2.5" NPT	Stainless Steel	FKM	CH105SFY01	7.8	184	112	98	35
Ø105	65	3" BSPP	Aluminium	FKM	CH105AGZ01	3.9	180	112	98	22
Ø105	65	3" NPT	Aluminium	FKM	CH105AGY01	4.1	184	112	98	35
Ø105	65	3" BSPP	Stainless Steel	FKM	CH105SGZ01	7.2	180	112	98	22
Ø105	65	3" NPT	Stainless Steel	FKM	CH105SGY01	7.5	184	112	98	35

Double Handle:



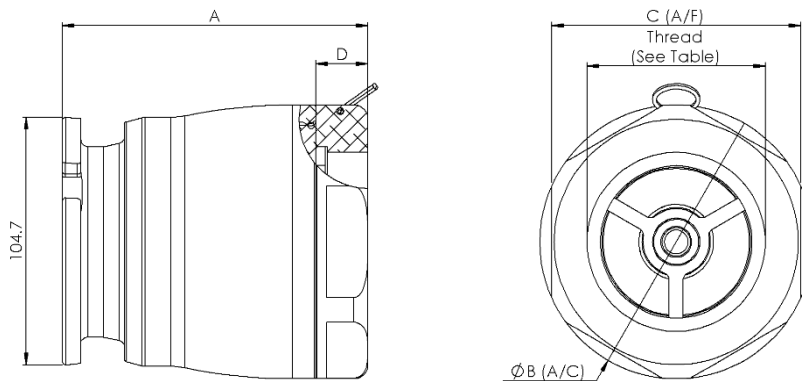
Wheel Handle:



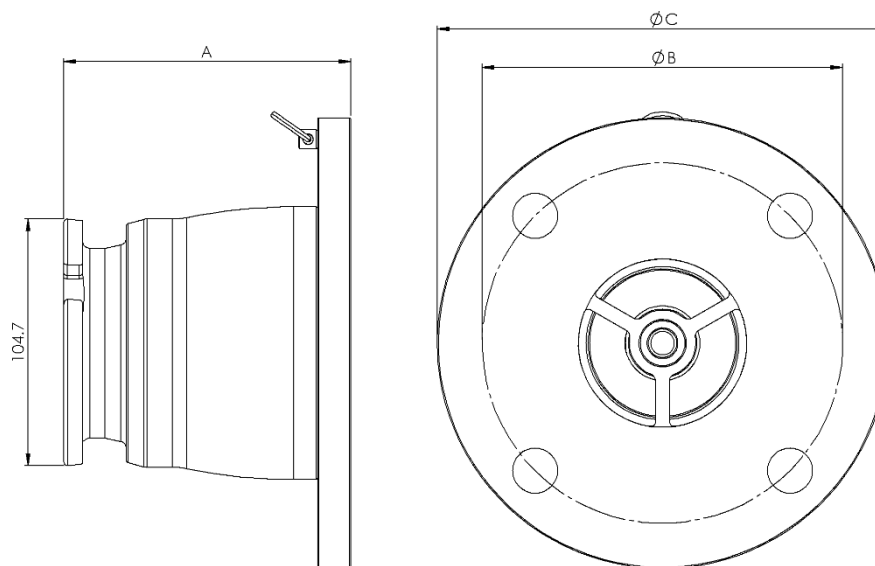
Ø105 Tank Unit Technical Data:

d. Ø	DN	Connection	Material	Seal	Part Number	Weight (kg)	Dimensions (mm)			
							A	B	C	D
Ø105	65	2.5" BSPP	Aluminium	FKM	CT105AFZ01	1.5	129	115	105	22
Ø105	65	2.5" NPT	Aluminium	FKM	CT105AFY01	1.6	136	115	105	35
Ø105	65	2.5" ASA 150	Aluminium	FKM	CT105AFU01	1.9	121	140	178	-
Ø105	65	2.5" BSPP	Stainless Steel	FKM	CT105SFZ01	3.9	129	115	105	22
Ø105	65	2.5" NPT	Stainless Steel	FKM	CT105SFY01	4.2	136	115	105	35
Ø105	65	2.5" ASA 150	Stainless Steel	FKM	CT105SFU01	5.3	121	140	178	-
Ø105	65	3" BSPP	Aluminium	FKM	CT105AGZ01	1.4	129	115	105	25
Ø105	65	3" NPT	Aluminium	FKM	CT105AGY01	1.5	136	115	105	35
Ø105	65	3" ASA 150	Aluminium	FKM	CT105AGU01	2.0	121	152	190	-
Ø105	65	3" BSPP	Stainless Steel	FKM	CT105SGZ01	3.7	129	115	105	25
Ø105	65	3" NPT	Stainless Steel	FKM	CT105SGY01	4.0	136	115	105	35
Ø105	65	3" ASA 150	Stainless Steel	FKM	CT105SGU01	5.6	121	152	190	-

Threaded Connection:



Flanged Connection:



Note: For custom requirements please email info@cleanbreak-couplings.com for more information.