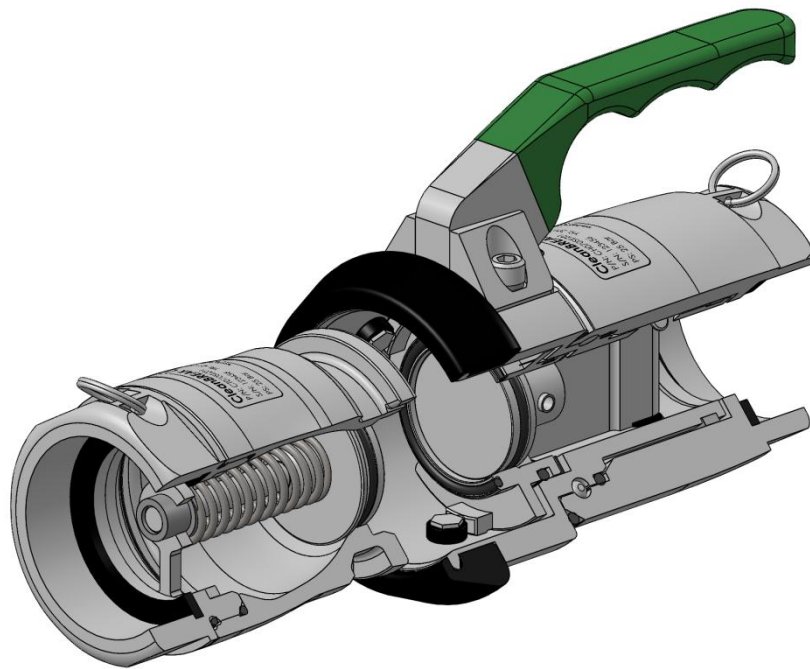


Technical Data: 70mm CleanBREAK



Applications:

The Ø70mm Spill Prevention Coupling is recommended for all types of bulk liquid product transfer, where product spillage and environmental contamination needs to be minimised.

Features:

- Fully compatible with STANAG 3756 & Team Specification couplings
- High flow rates of up to 650 LPM
- Integral swivel reduces hose torsional forces during the coupling of units
- Sleek and elegant design, with etched makers mark, to reduce potential debris traps in high cleanliness areas

Connections:

Available with BSP or NPT thread forms

Specifications:

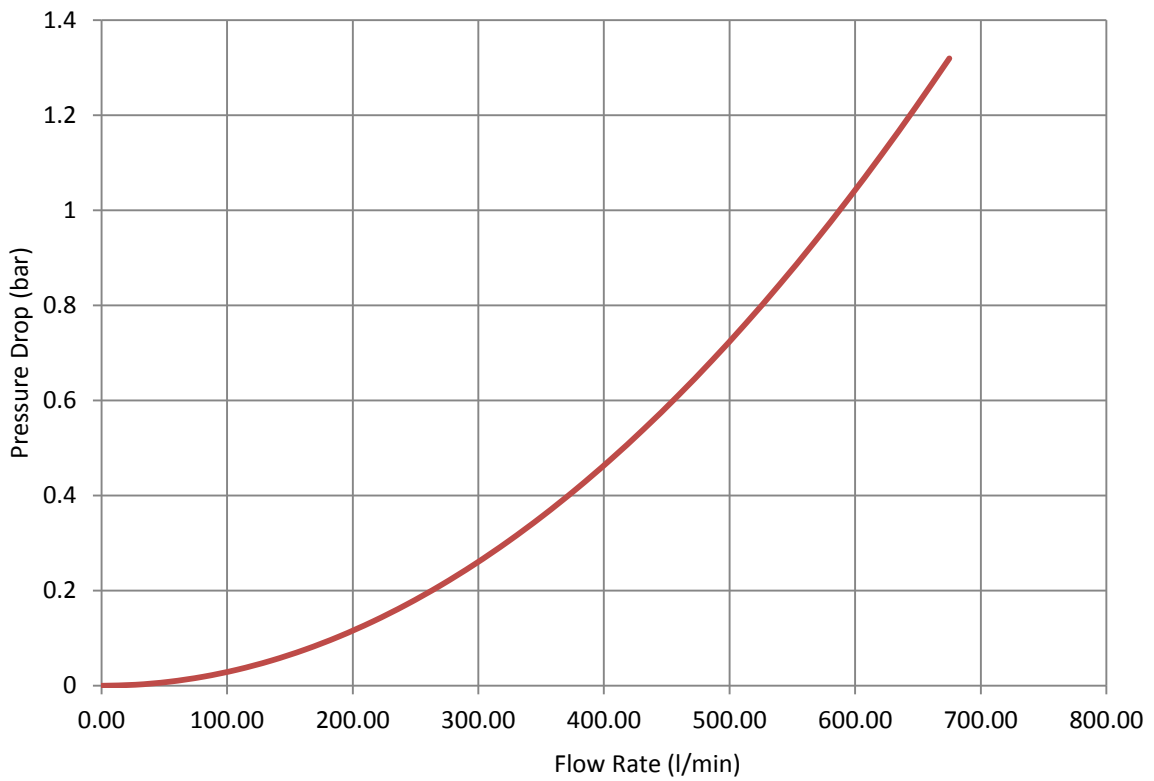
Material	Maximum Working Pressure (Bar / psi)	Test Pressure (Bar / psi)	Burst Pressure (Bar / psi)	Maximum Coupling Pressure (Bar / psi)
Aluminium	25 / 363	37.5 / 544	125 / 1813	4 / 58
Stainless Steel	25 / 363	37.5 / 544	125 / 1813	4 / 58

Materials:

Available in Aluminium Alloy and 316L Stainless Steel, with FKM Seals fitted as standard. Other seals types available on request.

Performance:

70mm Performance Curve

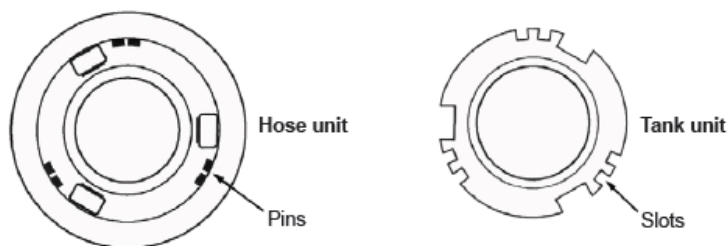


Test Fluid: Water. Test Temperature: 20°C. Density: 1. Viscosity: 1 mm²/s

Selectivity:

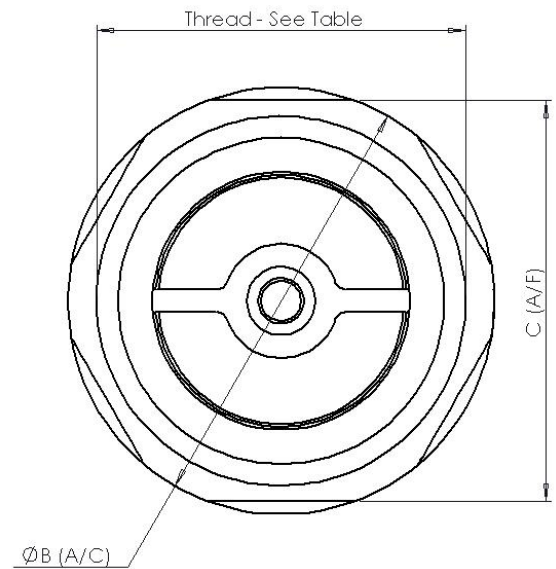
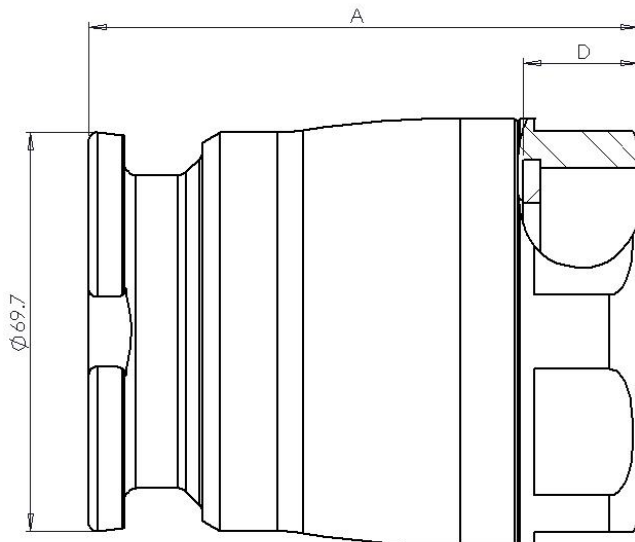
Selectivity is available as an option, to avoid cross contamination on connecting the wrong couplings together.

Each unit has a number of selective positions, designated by a coded part number.



70mm Tank Unit Technical Data

Ø70mm Threaded Tank Adaptor							Dimensions (mm)			
d. Ø	DN	Connection	Material	Seal	Part Number	Weight (kg)	A	B	C	D
Ø70	40	1 ½" BSP (female)	Aluminium	FKM	CT070ADZ01	0.5	96	75	70	20
			Stainless Steel	FKM	CT070SDZ01	1.43				22
		1 ½" NPT (female)	Aluminium	FKM	CT070ADY01	0.5				20
			Stainless Steel	FKM	CT070SDY01	1.43				22
	50	2" BSP (female)	Aluminium	FKM	CT070AEZ01	0.43				20
			Stainless Steel	FKM	CT070SEZ01	1.23				22
		2" NPT (female)	Aluminium	FKM	CT070AEY01	0.43				20
			Stainless Steel	FKM	CT070SEY01	1.43				22



Ø70mm Hose Units Technical Data

Ø70mm Threaded Hose Unit							Dimensions (mm)				
d. Ø	DN	Connection	Material	Seal	Part Number	Weight (kg)	A	B	C	D	
Ø70	40	1 ½" BSP (female)	Aluminium	FKM	CH070ADZ01	1.71	145	73	70	20	
			Stainless Steel	FKM	CH070SDZ01	3.50					
		1 ½" NPT (female)	Aluminium	FKM	CH070ADY01	1.76	150				25
			Stainless Steel	FKM	CH070SDY01	3.64					
	50	2" BSP (female)	Aluminium	FKM	CH070AEZ01	1.63	145			20	
			Stainless Steel	FKM	CH070SEZ01	3.25					
		2" NPT (female)	Aluminium	FKM	CH070AEY01	1.76	150				25
			Stainless Steel	FKM	CH070SEY01	3.45					

