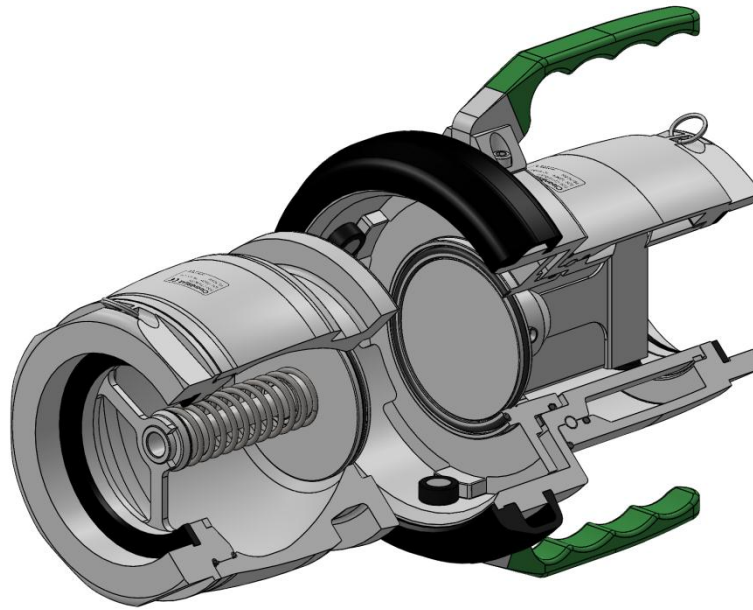


Technical Data: 164mm CleanBREAK



Applications:

The 164mm – 4” (100mm nominal bore) Spill Prevention Coupling is recommended for all types of bulk liquid product transfer, where product spillage and environmental contamination needs to be minimised.

Features:

- Fully compatible with STANAG 3756 & Team Specification couplings
- High flow rates of up to 3500 LPM
- Integral swivel reduces hose torsional forces during the coupling of units
- Sleek and elegant design, with etched makers mark, to reduce potential debris traps in high cleanliness areas
- Stainless Steel internals on all Hose units.

Connections:

Available with BSP, NPT thread forms and flange adaptors.

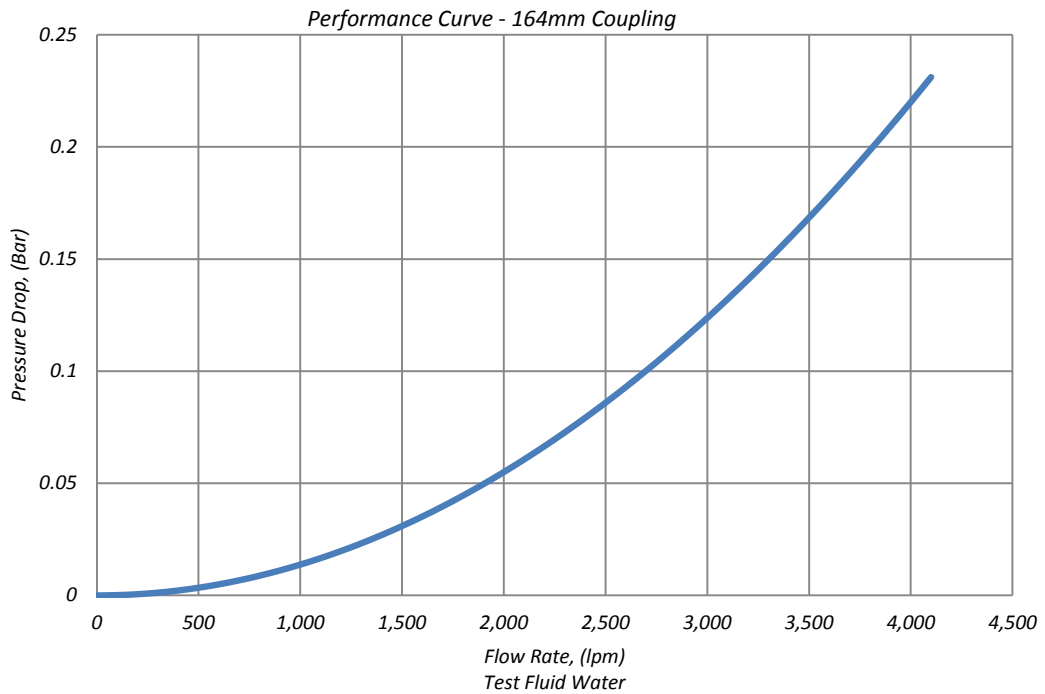
Specifications:

Material	Maximum Working Pressure (Bar / psi)	Test Pressure (Bar / psi)	Burst Pressure (Bar / psi)	Maximum Coupling Pressure (Bar / psi)
Aluminium	30 / 435	45 / 653	150 / 2176	4 / 58
Stainless Steel	30 / 435	45 / 635	150 / 2176	4 / 58

Materials:

Available in Aluminium Alloy and 316L Stainless Steel, with Viton Seals fitted as standard. Other seals types available on request.

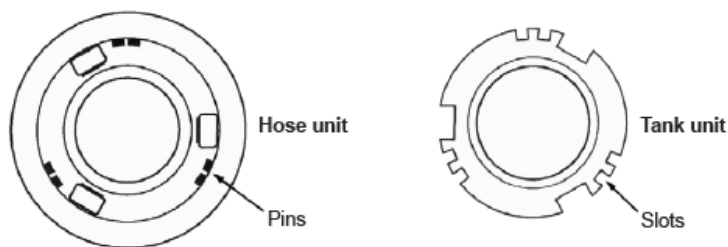
Performance:



Selectivity:

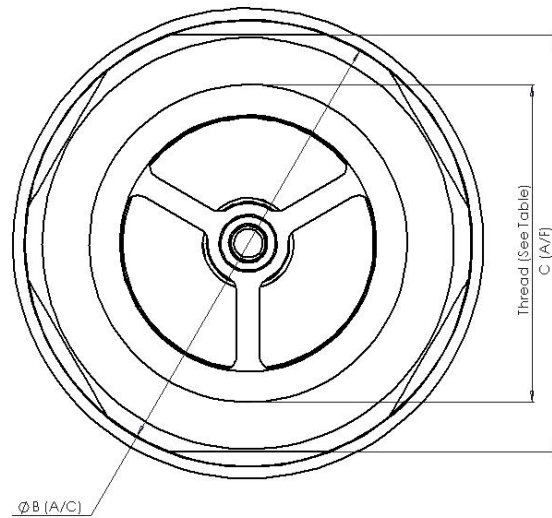
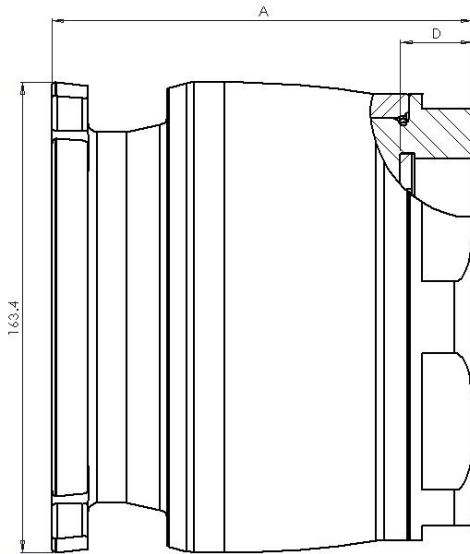
Selectivity is available as an option, to avoid cross contamination on connecting the wrong couplings together.

Each unit has a number of selective positions, designated by a coded part number.



164mm Tank Units Technical Data

Ø164mm Threaded Tank Adaptor							Dimensions (mm)			
d. Ø	DN	Connection	Material	Seal	Part Number	Weight (kg)	A	B	C	D
Ø164	100	4" BSP (female)	Aluminium	FKM	CT164AJZ01	3.70	146	155	145	25
			Stainless Steel	FKM	CT164SJZ01	8.9				
		4" NPT (female)	Aluminium	FKM	CT164AJY01	4.2	159			38
			Stainless Steel	FKM	CT164SJY01	9.2				



Ø164mm Hose Units Technical Data

Ø164mm Threaded Hose Unit							Dimensions (mm)			
d. Ø	DN	Connection	Material	Seal	Part Number	Weight (kg)	A	B	C	D
Ø164	80	4" BSP (female)	Aluminium	FKM	CH164AJZ01	6.20	210	139	128	25
			Stainless Steel	FKM	CH164SJZ01	14.8				
		4" NPT (female)	Aluminium	FKM	CH164AJY01	6.5	223			38
			Stainless Steel	FKM	CH164SJY01	15.1				

