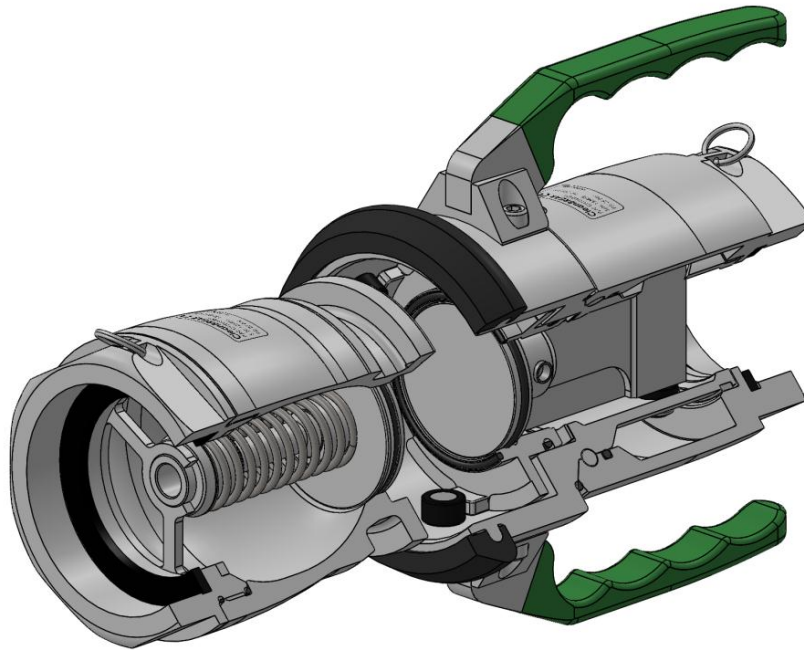


Technical Data: 105mm CleanBREAK



Applications:

The 105mm – 2 1/2" (65mm nominal bore) Spill Prevention Coupling is recommended for all types of bulk liquid product transfer, where product spillage and environmental contamination needs to be minimised.

Features:

- Fully compatible with STANAG 3756 & Team Specification couplings
- High flow rates of up to 1500 LPM
- Integral swivel reduces hose torsional forces during the coupling of units
- Sleek and elegant design, with etched makers mark, to reduce potential debris traps in high cleanliness areas

Connections:

Available with BSP, NPT thread forms and flange adaptors.

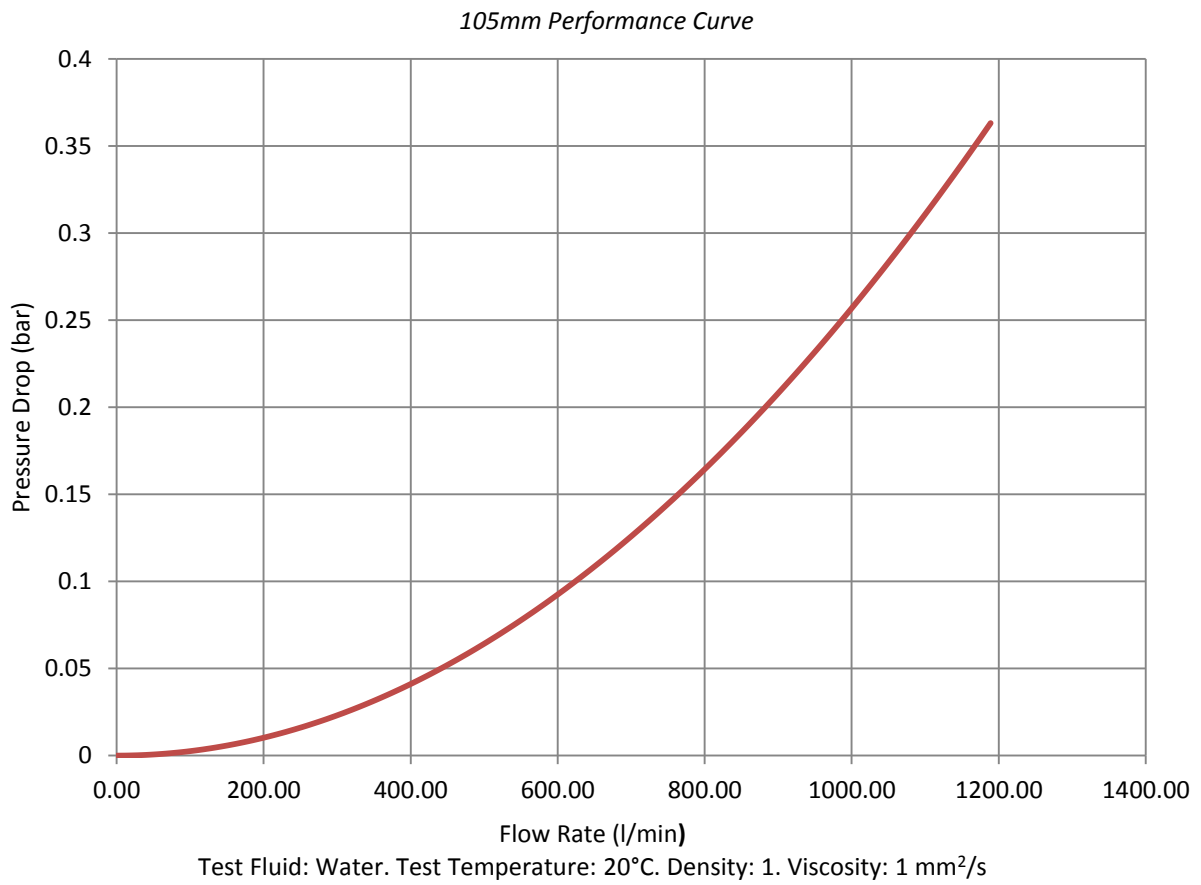
Specifications:

Material	Maximum Working Pressure (Bar / psi)	Test Pressure (Bar / psi)	Burst Pressure (Bar / psi)	Maximum Coupling Pressure (Bar / psi)
Aluminium	25 / 363	37.5 / 544	125 / 1813	4 / 58
Stainless Steel	25 / 363	37.5 / 544	125 / 1813	4 / 58

Materials:

Available in Aluminium Alloy and 316L Stainless Steel, with Viton Seals fitted as standard. Other seals types available on request.

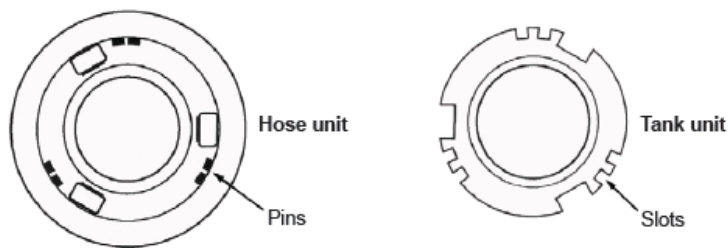
Performance:



Selectivity:

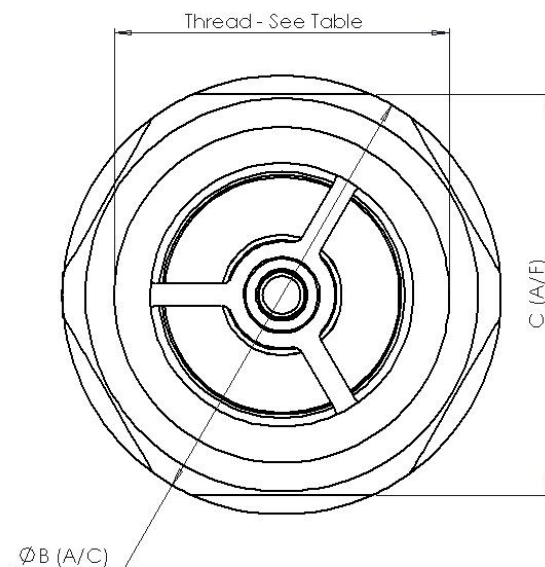
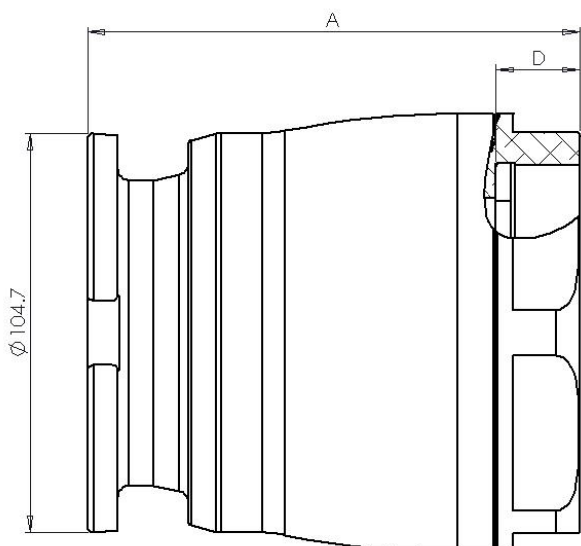
Selectivity is available as an option, to avoid cross contamination on connecting the wrong couplings together.

Each unit has a number of selective positions, designated by a coded part number.



105mm Tank Units Technical Data

Ø105mm Threaded Tank Adaptor							Dimensions (mm)			
d. Ø	DN	Connection	Material	Seal	Part Number	Weight (kg)	A	B	C	D
Ø105	65	2.5" BSP (female)	Aluminium	FKM	CT105AFZ01	1.5	129	115	105	26
			Stainless Steel	FKM	CT105SFZ01	4				
		2.5" NPT (female)	Aluminium	FKM	CT105AFY01	1.6	136			
			Stainless Steel	FKM	CT105SFY01	4.15				
	80	3" BSP (female)	Aluminium	FKM	CT105AGZ01	1.4	129			
			Stainless Steel	FKM	CT105SGZ01	3.7				
		3" NPT (female)	Aluminium	FKM	CT105AGY01	1.5	136			
			Stainless Steel	FKM	CT105SGY01	4				



Ø105mm Hose Units Technical Data

Ø105mm Threaded Hose Unit							Dimensions (mm)				
d. Ø	DN	Connection	Material	Seal	Part Number	Weight (kg)	A	B	C	D	
Ø105	65	2.5" BSP (female)	Aluminium	FKM	CH105AFZ01	4.05	180	109	98	22	
			Stainless Steel	FKM	CH105SFZ01	8.0					
		2.5" NPT (female)	Aluminium	FKM	CH105AFY01	4.2	184				26
			Stainless Steel	FKM	CH105SFY01	8.1					
	80	3" BSP (female)	Aluminium	FKM	CH105AGZ01	3.95	180			22	
			Stainless Steel	FKM	CH105SGZ01	7.9					
		3" NPT (female)	Aluminium	FKM	CH105AGY01	4.05	184				26
			Stainless Steel	FKM	CH105SGY01	8.0					

